

Here we rationalize the inertial velocity mass glass ceiling determined by science, the definition of an absolute force maximum, the scientific importance of the modern feedback systems leading to the expulsion of SRT paradoxes

date: Dec. 29<sup>th</sup> 2019, Vol. 10 Email: Info@realautomation.ca

**Abstract:** Here we are examining the constancy-speed limit of light and the conservation of momentum as a reasonable-real limitation in science, or are these self-imposed **unreasonable** limitations **willfully-unreasonable** stopping any further fruitful discussions and further wholesome scientific investigation?

Within science knowledge, two important but similar disciplines are in contest for superiority: The science of quantum mechanics derived initially from the black body-cavity energy radiation and the Special Relativity Theory **SRT** based on the speed **limit** of Light **C** and light energy transmission! Both theories are believing in the lattice structure of matter and in the radiation-reflection science in their own way wherein there is **no logical** limit set by the originator of momentum. The **two** disciplines in contest, Quantum Mechanics and **SRT** are both based on the radiation characteristic of photon-energy, wherein the **photon** is the effluent carrier-entity of Light-**energy experimentally** proven to be an electromagnetic **quantum phenomena** emitted by mass particles in an energetic charged state having periodic energy null transitions at the light-**wavelength** wherein short wavelength have higher energy transmission rate than long wavelengths! These two **highly** related disciplines were the brain-Childs of two scientists working side by side, wherein M. Planck was the much senior for the **experimentally** derived-proven **quantum** mechanics and A. Einstein for the theoretically-thought-*(Gedanken)*, religion inspired “God does not play dice” SRT science limit; thereby, he was disregarding the hard won ideal-important separation of religion, state and science and inviting a shower of head spinning-disbelieve; this means, neither of these realms should ideally interfere with the other. The relationship-stiles between these two scientists was the careful go slow determined approach for older Planck and the barn storming-crusade approach for the younger Einstein,

charging ahead, laying open-using the previous-known foundation-experimental work of many scientists, on the mass-energy glass ceiling, the **mass-energy equivalence  $E=mc^2$** , brushing aside the grave-handwringing-fear far reaching political-military-cultural-safety-technical unknown implications-**dangers** foreseen by Planck still forthcoming today in ever increasing torrent!

The **exact** substance-structure-ingrediance-relation of photons and electrons in relation to simple terms is still experimentally unidentified today and still under investigation, therefore, it is simply unreasonable to shut down the investigation and discussion on these two disciplines, in the end they must, however logically, converge because of the common denominators is the electron-photon's ability to carry-transmit energy, the dimensional grid quantum structure of mass, the time-space-distance structure of our world and the common denominator of max speed **C**! We simply have to concede, in the end, that SRT, the Lorentz-transform and also the quantum mechanics are both not possible without the light-electrodynamic energy radiation principle, the energy-particle radiation of the radon-element discovered by the Curies and the speed and the **very** important mass of the electrons discovery within the mass structure!

The **big**-surprising **mass** of the electron measurement by J. Thompson in 1897 using high voltage within an evacuated Braun's cathode ray tube started a flurry of early theoretic **SRT** mass-energy correlations-measurement starting at:  **$m_{\text{mass}}=8/3E_{\text{energy}}/c^2$** . This mass-energy equivalence reinforced-qualified the side by side **equal** view relation of energy with momentum formulated by H. Hertz, while some Science realm is **trying** to curtail-shunning-downplaying-ignoring energy for unreasonably favoring-selling the monotone impulse-momentum time progression as superior-**clever**-fundamental **over** kinetic energy and the acknowledged simultaneous-mutually-opposing science selection that **energy cannot** be created from nothing nor destroyed into nothing, it is conserved; but this energy conservation **first** invented by Galileo, mathematically-algebraically and empirically described by Huygens-Leibniz verified by Bernoulli, L'Hospital and many others, logically expressed as a product of  **$E_{\text{origin}}=mgh$** . This original rock base fundamental is **wrongly** assumed **not** to diminish-imping-neutralize-marginalize the separate superiority-cleverness-uniqueness of conservation

of momentum, wherein the change-addition of momentum progression is **unreasonably-erroneously** assigned as an infinitely-unlimited-monotone time function escaping-ignoring-deleting the obvious-important-fundamental energy functional glass-ceiling limitation within this ever repeating-monotone time derivative; because, the monotone time derivative was also **first** presented by Galileo with his declined notched board having **progressive larger** displacements-distances between notches and the tower of Pisa gravitational-fall velocity progressions having an observable mass-acceleration-distance-height-product  **$e=mgh$** , wherein the **h**-dimension has a runaway-condition **to infinity within repeating monotone time intervals!** Accordingly, the inventor of momentum had an unreasonable fascination with infinity concepts because of his stated prime ability to view physics principles in terms of **infinity** to his subservient coworker Hooke! This unreasonable-unprovable cherry-picking **favoring** of linear momentum progression **over kinetic** energy is by **far**, the most, unreasonable contorted **exotic unproven assumption** construct maintained by science feeding right back into the Quantum mechanics versus SRT controversies and all other related issues.

The momentum superiority is **unreasonable** because **A), only** within the **kinetic** energy realm all **four** energy contents-directions of a particle can be described-modeled-tabulated: **1)** The rotational kinetic energy, **2)** the tumbling head over heel kinetic energy, **3)** the overall forward motion kinetic energy and **4)** the mass-energy-equivalence of a particle-mass can be presented as an energy **sum tabulation; B); a car reaches its limit of travel and also a rocket reaches its maximum momentum inescapable at the point of an empty energy gas tank, which has a fundamental three dimension volume/energy measurement in liters/calorie/kilogram!; C), only** in the angular-tangential-energy-distance domain is the important history-altering castle-busting gravitational Tre's-bucket-artillery actually designed-dimensioned! This artillery device is the great-grandmother of the authors inertial propulsion device patents wherein the applicable third law in the impulse-momentum-time domain alone **fails** to **model** the Tre's-bucket angular simultaneous longitudinal time-spaced energy transactions from the first original root vertical potential gravity  **$e=mgh$**  cause to the final translation of destructive inertial mass horizontal projectile motion

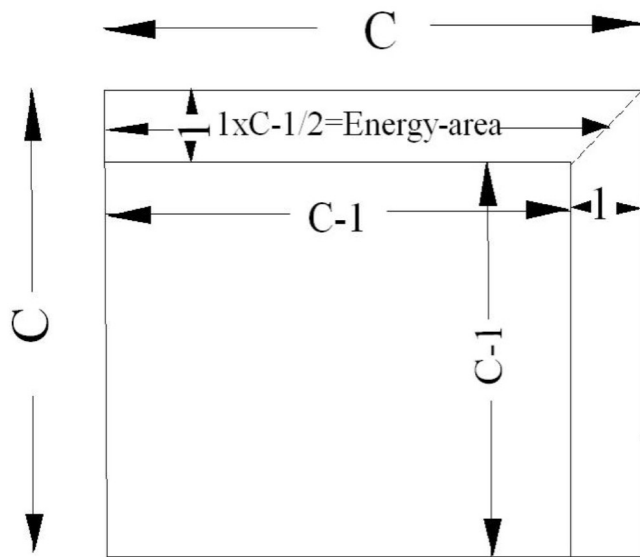
kinetic energy  $E=mdVV_{\text{average}}$  supplied! This is congruent with the modern standard model of particle physics using also the very important Lagrangian **energy sum**; and importantly **D**), only within the energy-distance-displacement domain is the kinetic-centripetal-centrifugal-gravitation energy-forces  $F=mV^2/r$  **balancing-act** of our dearest **Earth** orbital motion around the sun visualized-modeled-accomplished! **E**), Within the momentum, mass, force and time trilogy-relation, wherein the time parameter is the weakest link because we human have a very **weak** sense-relation to passage of time in comparison to the obvious-**reality** of distance-displacement; because, we regularly burn our broth, undercook our eggs, get confused about the day-count, we miss important appointments and sleep in without a guidance of a clock; we readily, without further thought, **embrace-accept** the unprovable-**irrational** concept of **everlasting equal** monotone **time-step-derivation as reality**! Yes, the equal time-step-magnitude only exists-**absolute** in momentum fill-delay-time from a **zero** momentum starting point employed by mechanical chronometer clocks having an ever uniformly repeating **exact force-repetition** and **exact** distance **repetition** and the distance fill-delay time for light in form of **c** within the authors' internal mirror box light clock, the inertial **mass** motion range from  $t=0$  to  $t=c/s$  is not provable-devisable into perfect equal time intervals  $dt=mdV/F$ , because there is no proof of an **equal force F maintainable** over the enormous distance/velocity range from **0** to **c** employing the depletion-consumption of **infinite** amount of inertial mass motion **energy**! **F) Only in the Force-distance-displacement-energy domain** can any modern feedback construct  $1-A^2/B^2$  considered, like the third law in energy form, the collapse of the stock market or the H. Lorentz depleting flow system, etc. etc.! **G) in summary: 'Time'** by itself, cannot **cause** force to be exerted passing over a distance-displacement, only with energy and energy potential can we displace material to build a house to shelter us, Only with progressive more energy can we build a house in ever shorter time, **ONLY** with **energy** can do the **force** exertion over a distance-displacement  $E=mdVV_{\text{average}}=m*a*S_{\text{distance}}$  wherein the distance is the product:  $dS=dVdt/2$ ; wherein **time** is the non-linear-irrational function  $t=(2S/a)^{1/2}$ , which is congruent with Huygens pendulum algebraic-kinematic time formula, wherein time is derived out of the pendulum triangular swing gate-length dimension which

includes the original-fundamental Galileo-Huygens-Leibnitz-Lagrangian potential energy  $E_{\text{potential}} = mgh$  changes for every pendulum swing position! Accordingly, only with a lagrangian surplus of potential energy can any gain in momentum be obtained ever, because the momentum trilogy includes the circumscription of the **triangular area of momentum within time** which is distance:  $ds = dVdt/2$ , wherein time is:  $dt = 2dS/dV$ , then energy is:  $Fds = mdV^2/2$ . Here we are back at the first original energy derivation and Hertz assertion to view momentum and kinetic energy side by side; accordingly, Newton is simply **concealing-ignoring-deleting-sidestepping the distance-displacement-force-energy** which **must** occur-precede during the **change of momentum first to obtain the change of momentum!**. Only the focus on energy can help us solve our dire energy shortfalls not by focusing **all our time** on the irrational-superiority of momentum with its inherent unaccounted distance-displacement to infinity runaway conditions of the force-mass-time-momentum trilogy! Newton's conservation of momentum  $F_{\text{force}}t_{\text{time}} = mdV$  contains no original-**first** root cause where momentum original comes from in the first place, because it has no concept of how the **force** is suppose to follow the acceleration-**distance** within the momentum trilogy envelope-product  $ds = dVdt/2$  which is potential energy which needs to be huge for large velocity magnitudes approaching **c**! Considering now only conservation of **energy** without SRT empirical emancipation of mass: At the origin velocity of light less 1m/second: **c-(1m/s)**, a mass of 1kg needs a **un-imaginable unreasonable-unavailable-exotic force-magnitude for the displacement/energy method is:**

$F = mV \frac{V_{\text{average}}}{s} = m(C(C-1+C)/2) = m(C(C-1)/2)$  Newton-force and for the momentum method:  $F_{\text{max}} = mdV/t = m(C-1(C-1)^2)/2$ , pushing the 1kg mass at an

average velocity of **c-1/2** meter/second to gain any velocity whatsoever; when approaching the lightspeed **c within** 1meter per second velocity; this is thought as the **space-time fabric** of mass has been reached at this point.

To present this glass ceiling a picture is presented to underwrite this SRT phenomena **without mass emancipation of mass** next! This means: we really don't need the emancipation of mass because a force of:



$F_{\text{force}} = m(1 \times ((C-1/2)))$  is un-obtainable by conventional non-atomic means,

it is therefore a important scientific constant! In contrast: For the momentum / time domain: The force  $F = mdV/dt$  is **1 m/second velocity** gain divided by a tiny-miniscule-microscopic motion time duration approaching the absolute minimum at the end of this acceleration approaching  $c$  is a microscopic

$t_{\text{minimum}} = 1_{\text{meter,displacement}}/c = 3.3356 * 10^{-9}$  second, accordingly, the force  $F = mdVt_{\text{minimum}} = 1/3.3356 * 10^{-9} = (1 \times ((C-1/2)))$  Newton, **the momentum force is the same as the force in the conservation of energy, it is also unobtainable!**

**The emancipation of mass within SRT** is an empirical-thought limit while  $F = m(1 \times ((C-1/2)))$  is a mathematical limit! Because we have no difficulty expressing the required force magnitude for the motion approaching  $c$  with both the

mathematical energy method and mathematical impulse method! Both methods **do not** have a reciprocal scientific priority over each other as stated by Hertz! But is this mathematical **upper force limit enough** to force the **fusion** of atoms and the **precise required collision force alignment** to unlock nuclear **fusion power** is the big-**urgent unanswered** question? This atom collision alignment occurs in Gods Sun **energy** creation including-using his important creation of probability!

**All** clocks inertial-mechanical-water, crystal-electronic or light need **first** a magnitude of **potential energy** to function! Newton, accordingly, attempts to conserve something he never defines **absolute-scientifically** how and where he got it in the first place. This physics principle was known and successfully employed before Newton entered the science world by central European clockmakers in early pocket watch designs employing a flat long coiled spring as the stable energetic motivating agent to follow the force over an acceleration distance wherein time is a secondary fill-byproduct of this mechanism; this is presented in the authors time measurement paper. From Galileo to Hertz and Einstein mechanics is all about the careful side by side view of energy with momentum; wherein NO change in momentum is possible without having a lagrangian type root cause of potential energy **available first**; this is because of the reluctance of mass, the passage of **distance** is the **envelope area** within the momentum-time trilogy and the enormous distances at high speed motion forced accelerations. There is simply no absolute reason for a change in momentum to appear with a **force** applied passing a TIME duration **ALONE, without the presents of potential energy in form of freedom of motion independent of time**. Accordingly, Newton conserves momentum without successfully-completely defining how he got momentum in the first place! Additionally, there is an absolute-reason for momentum to appear with a **FORCE** passing over a DISTANCE-motion, because, the force-distance PRODUCT is the potential energy expended into an ACTUAL-REAL inertial mass motion. This meta-physics priority was known and presented with experiments by all scientist starting from Galileo to Hertz, known by pocket watch makers before Newton and so endearingly reiterated by Hertz with "THE INERTIAL MASS MOTION IN A NEW FORM" Book. It is important to mention here that: H. Hertz, the inventor of

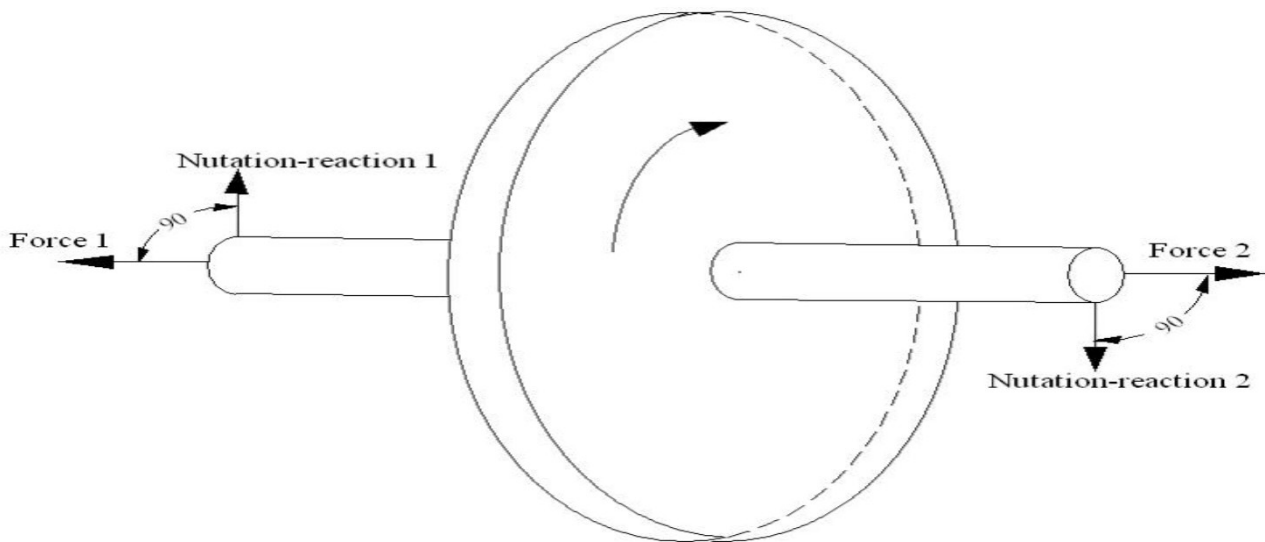
RADAR-RADIO electrodynamic radiation-reflection technology, favored to view energy and momentum as **equal-same-thing-options** side by side; because, his photocell and RADAR antenna screen invention is converting photon-light-energy into electrical-electron energy and his electrical arc lamp is converting electric energy into light energy, this is a closed loop cyclic energy flow within an isolated system proving the interchangeability of electron energy with photon energy needing an original onboard source of potential **energy** to function; could this electrical arc lamp-solar cell arrangement telling us that **light** by **itself** with its mass-wave duality is the original energy substance? The arc lamp-solar cell arrangement is proven to operate close to the speed of light if the magnetic-electrical field drag effect is muted with bifilar conductors. Why should the secondary conservation of momentum having a **void-lack-absence** of **direct** motion **distance-parameter** definition but having instead a momentum **fill time** definition more important than the **first base and first Galileo-Huygens-Leibnitz invented** conservation of energy **including** the motion-acceleration **distance?**; isn't this a reverse illogical-illegal contorted double assignment **ignoring** the substantial computational-logical overhead when using the impulse-momentum realm wherein the displacement-**distance** is the **complex-curve envelope-area** of the momentum-sum/time triangular + rectangular surface 180 degree triology:  $S_{total}=V_{origin}dt+adt^2/2!$  Aren't we ignoring that the inventor of **momentum** wrote in his Principia: "I will not consider-ignore angular-rotational motion converted-projected onto straight line motion passing a radius displacement"; this sinusoidal conversion-reflection is the **most** important far reaching mechanical construct used in **technology** in the form of:

$$V_{\text{tangential-straight-line}} = \text{angular}_{\text{speed}} r;$$

but he "invented" the centripetal-angular acceleration in opposite **direction** to the centrifugal-acceleration having both the **identical**  $F=mV^2/r$  energy derivation for his planetary gravity action over a distance. This two direction difference is in both-each direction still applying to the  $e=mgh$  potential! Further, he **assigned** an **unreal**-nature to the centrifugal-acceleration 90 degree **complex** plane reflection while this unreality is giving us real energy performance of centrifugal pumps, centrifuges, gyro-busses, tre's-buchet, amusement park ride motions, Inertial



Propulsion, **centrifugal governor** technology! etc. etc... ! Hertz demonstrated the principle of RADAR electrodynamic radiation-reflection-detection principle with the ship traffic blocking his radio transmissions on the Rhein river and proved it congruent with light-reflections; this detection technology was patented and ready to be used for ship collision detection in 1904, **eight** years before the heart-wrenching Titanic-iceberg collision disaster in 1912; today, it is available to work in audible-alarm automatic collision detection in conjunction with automatic



programed safety algorithms on every weekend ocean pleasure craft! Why are we still **not** forcing transportation companies to protect the safety of the paying public passengers using this 100+ year old important physics phenomena! We are unreasonably-one-sidedly browbeaten by science to accepted the empirical assumptions of emancipation of mass and dilation of time in relation to inertial mass motion, wherein some publications assign the behavior of the **gyro** as proof of the **SRT** emancipations, while the gyro behavior is **foremost** linked to the **direction** of an axial **force vector** applied to the gyro shaft to the **90** degree direction-skew of the gyro axial reaction nutation-motion-**vector** to the direction of the applied **force vector** portrayed by the previous picture; **importantly**, the systems kinetic-potential energy sum is constant and conserved and it is congruent in symmetry with electro dynamic induction voltage to current 90 degree skew! Above is the diagram explaining this phenomena: This 90 degree nutation motion-skew to an applied force direction was so **endearingly**, surprisingly and hilariously demonstrated by Prof. Eric Laithwaite's famous

Christmas lecture wherein the gyro **appears** to have its own uncontrollable motion directions-will when spinning freely attached onto a long stick. This presentation was **chastised** by one-track-purist as unreasonable-scandalous denouncing-impinging on Newton's fundamental laws forcing the well accomplished Prof. Eric into the science-career doghouse; this was an unreasonable-contorted curtailment-compressing science view into the narrow momentum slit, unreasonable limiting the freedom of expression displaying **actual-real** universal scientific principles! Because, Laithwaite was not the first to demonstrate this gyro behavior, so did Lord Kelvin with a gyro within a box suspended-hovering on a table-edge; perhaps, Laithwaite deserved a promotion instead a browbeating-reprimand and his gyro demonstration should be shown every Christmas and displayed in our public educational science centers to foster science thinking beyond the **narrow-restrictive** impulse momentum slit view! These reflection motions are in congruence with all other reflection physics phenomena of light 90+90 degree light reflection theory, the 90 degree **electrodynamic voltage** to **current** AC phase **reflection-skew** and the 90 degree angular separation of the complex plane vectors, which we do not call emancipation but **logical correctly "blind"** electrical resistance! This complex plane vector addition changed our old 4kg stereo amplifier power supply into a miniscule 0.1 kg switching-circuit-power supply, an **emancipation** of mass in **REVERSE**, thank you very much! This general reflection phenomena is however heavily involved in the **invariable** nature of physics principle for every individual-isolated inertial reference frame platform, like the planetary Earth, Mars, Moons inertial reference plane, the airplane inertial reference frame ..etc.. etc. Fiseau's speed of light-limit measurement must hold with identical speed results in **all** and **every** of these inertial reference frames-platforms and also in SRT frames because there is **no preferred inertial** reference frame-platform! Accordingly, if time is always in reference to the light speed within physical dimensions, then, how could there ever be a time dilation difference between different-separated **inertial** reference frames-platforms having each different Eigen-speeds in the first place? All we have to do is use this author's internal mirror-box light clock to check how acceleration affects the light reflection-dimension-time progression and how we are able to use leap-year type technology to arrive at perfect time keeping between distant-separated reference frames! This technology is described in the author's internal mirror box light-clock paper. Einstein's twin

paradox is then non-existent and expelled! Einstein's time dilation idea is accordingly mutually incompatible with and **violates** the **constancy-invariability of emitted** light speed principle, it violates the **energy transmission** principle of light, it violates the maximum-saturation of energy flow within the electron-proton and it ignores the electron cloud / **proton** structure compression-**flexibility** in response to extreme shock-impulses at SRT velocities! The forces within the atom-particle are large but not infinite to withstand SRT magnitude impulses at **c**, this must be seen as the root causes of SRT phenomena! The notion in SRT supporting publications that there actually exists a **non-inertial** reference frame having light emissions totally lacks any experimental-energy-mass nor logical reality; because, the photon is the carrier of our life-energy always having a photon **source MASS** entity like the sun or the photo diode and an energy **source** having a real **mass**. Accordingly, we can postulate that SRT is actually ignoring the **energy saturation-feed-back principle** contained within the H. Lorentz transform:  $1-V^2/C^2$  which is **pinching-off**, setting a **glass ceiling-limit** to the inertial mass motion **energy** / acceleration progression exerted from a **fixed-point** at the speed of light **c**; wherein **fixed-point** means that a **large** mass entity is providing an apparent **backrest** which is receiving a “**third law**” **unnoticeable-unmeasurable-small** kinetic-energy-momentum **reaction**! This third law in H. Hertz's energy form is expressed as:  $E/e=M/m$  ; wherein  $E_{total}=E+e$  ;  $a=F/M$  ;  $a=F/m$  ; **a** is larger than  $e_{small,mass}=E_{total}/((m/M)+1)$ , this is the very important **fundamental feed back** function within the Lorentz transform wherein the mass relation  $m/M$  acts as an exact-smooth analog computer without numeric steps! This third law in the energy form is also applying the **energy flow** within rockets, wherein the rocket fuel-mass-energy flow per time is:  $dP=dM \cdot f_{fuel-energy-mass-factor}/dt$  causing a continuous **apparent** change in the **remaining** rocket mass  $M-dM=M_{remain}$  for the **root** cause energy packet  $dE$  needs to accelerate  $a=F/M_{remain}$ , during each  $dt$  time interval; this is an **apparent-unreal** shrinking-effect of mass within the third law type expulsion-separation of masses, wherein **importantly** the total mass-sum and the total energy sum is constant, conserved and still keeps existing after the expulsion. This third law in the energy realm relation is reinforcing Hertz's important momentum / energy side by side

view and also is the important first fundamental principle of Inertial Propulsion, wherein we have to include-reconsider furthermore the science shunted **rotational** motion **projected** onto straight line motion, the rotational-angular **time delays** to receive the actual **full** third law reaction action and the directional shifting of the gyro potential energy without any reaction. Einstein's mass emancipation idea was an **unreasonable-untested-unfounded-thought** ("Gedanken") solution because he was mentally **compelled** to use the foggy emancipation of mass idea while unable to conceive within his university department environment himself an actual performed real-experiment supporting this mass emancipation idea and having a lack of any other available root cause of the acceleration-velocity **gain-stall** at the speed of light of the electron mass! However, Judgeing by the behavior of the electron within a radio amplifier electronic vacuum tubes having electrons behave more like old limp-deflated tennis balls than shiny **hard** ball bearings; accordingly, the SRT mass emancipation idea is simply incongruent with subsequent-later experiments! This idea appears then the same as these circus clowns demonstrating *free energy generators* with large-heavy electro-iron-magnetic-mechanical rotation devices retaining-storing amazingly **very large** and **dangerous** energy-magnetic-centrifugal-force-saturation levels displayed-presented in town-fares as **free** energy devices powering a light-string for the duration of the fair and collecting from the audience donations to fund their **free energy research-scam** without presenting-hiding any **energy tabulations realities whatsoever!** On the other hand, we are told-browbeaten to **favor-love-embrace** the momentum-impulse construct which is removing-sidestepping the H. Lorentz energy-flow-density constraint-limit by **exchanging** displacement-distance with momentum fill-**time**-duration from inertial mass motion as more fundamental-**clever** than the kinetic energy construct because of the **assumed** theoretic time interval derivation is assumed as being the most fundamental **clean-clever** derivation available in science in **absents** of any **prove** that **time actually can exist-appear-alone by itself** without the un-separable Eigen-energy of the photon with its Eigen-velocity **C**; while the **distance-displacement-force**  $F=mdV_{average}/s$  in the energy-displacement domain can exist always **without any** separate-independent **time** considerations within an isolated defined inertial mass system:

$E_{\text{energy}} = F \cdot s = m \cdot dV \cdot V_{\text{average}}$  ; because:  $V_{\text{average}} = S/dt$  ;  $S = V_{\text{average}} \cdot dt$  ; then  $F = m \cdot dV/dt$ .

**energy** is after all the root-**first**-original substance of all!

When considering velocity "**V**" **without** the space-distance **dimensions** of a system, for example, within the confines of the earth or the confines of the solar system, or confines of the light-speed travel distance in light-years is of purely **theoretic** nature, it exists only in our imagination. Additionally, the time domain impulse-momentum has a hidden saturation-quantum grid limitation in form of the **shortest** possible **time** interval-limit of an inertial mass **impulse**; what is the shortest possible impulse-time-duration when viewing-considering the light speed limit **c**? We postulate here the **shortest impulse duration** possible is:

$$t_{\text{minimum}} = 1_{\text{meter, displacement}} / c . \quad \text{Wherein } c \text{ is in meter /second}$$

This average principle within an isolated system displacement,

$$\text{distance/time} = V_{\text{average, speed}}$$

is **the most basic-clean-simple-clever, immensely technological**-important within engine technology and undisputable correlation in distance-dimensional science and should be used to correlate the glass ceiling of any motion from a **fixed** point in relation to **C**!; wherein the **variation** in **average** speed within an isolated system has enough energy / impulse to power inertial propulsion when employing simultaneous-directional-displacing Lagrange-potential-**energy angular** opposing third-law-motions **projected** onto straight **line** motions. When we obtain the time duration from the displacement distance and speed  $V$ :  $dt = 2ds/dV$ ; then, replace the time duration in the impulse trilogy equation:  $F = m \cdot dV/dt$ , we arrive **back** at the fundamental:  $F_{\text{force}} = m \cdot dV \cdot V_{\text{average}} / S_{\text{displacement}}$  . **Energy** is then not a subservient of momentum, it is the first original root cause of **all** inertial mass motion! The complete IP mechanics can be obtained from amazon books: "**Inertial Propulsion**; and you thought it's **impossible**", including the US patent #9995284! Wherein the author describes how **high** potential energy of a fast spinning rotor having simultaneous equal alternating displacements is transported into the direction of the intended inertial propulsion without impinging an unwanted equal reaction; this principle was invented by Huygens during the ship chronometer-development

and this was known to Newton but again not considered. The **real glass** ceiling is, of course, **exactly** related to the available energy flow magnitude and energy flow direction in relation to the accelerated inertial mass magnitude exerted within an inertial frame of reference from an internal fixed point:

$$V_{\max} = ((\text{Power}_{\text{HP}} * 4 * \text{displacement distant} * 750) / \text{mass})^{1/3}$$

This means that the car **maximum** velocity is in a hopeless losing streak glass-**ceiling** limit in comparison-relation to the isolated build-in available **energy flow**; if we want to double the car's max speed limit within an inertial frame of reference we must expand the required **HP energy** flow in a cube function! The energy flow constraint is even more pronounced in electric cars wherein **1HP=736watt-machinery-capacity = 736Volts\*1Ampere**; therefore, the angular speed-limit of the simple DC electric motor and the speed of the electric car is **limited** by the supply voltage potential magnitude, or we must use expensive gearboxes shifting the energy flow into larger amperage loads; subway cars have a 700 Voltage supply, high speed trains have a 1600 voltage supply. This energy-flow-constraint is truly the **real glass** ceiling in science-technology, it is the same as the Lorentz transform in a different-form expression; but is this glass ceiling also applying to the Eigen-speed of **C** from a **light source within a fast moving isolated inertial platform**? This author **postulates** and **proves with** his light-mirror-box-clock principle that the **physics principles** within a moving isolated inertial system is **invariable continuous and always in direct congruence-agreement to any others-separate-different inertial reference frame**; the **sanctity of physics-principles are independent of an inertial reference frame-platform Eigen-motion, speed and direction; this is because of the onboard stored energy source has the Lagrange form: potential + kinetic = energy total, wherein the potential-energy has the Eigen-velocity of the system**, wherein our sun-planetary system occupies an absolute space! The SRT side of science is favoring-cherry-picking brow-beating us to accept Einstein's quick answer in form of the speed of light **C** as the top glass **ceiling** for **any** and **all** inertial mass motion without questioning any **addition-summing** of velocities involving Lagrange type combined third law type motion relations; like the

addition of the real tangential velocity of 30000 m/s orbital motion of the earth with the combined-additional motion of the particle beam within the HADRON particle accelerator located on-**top** of the earth, or the velocity addition for a stacked three stage rocket or the velocity addition for the tangential velocity of the rotor blade on top of a helicopter with forward motion or Fiseau's light speed measurement on top of the Earth platform motion! Each section motion of the circular HADRON particle beam passing **locally** from fixed-to-earth acceleration station to acceleration section applies to H. Lorenz **maximum** inertial mass-kinetic energy content principle exerted from a **fixed point** is:

$E_{\text{max-kinetic}} = mdV_{\text{average}} = mc^2$  and this is applying to the quantum nature of energy-mass and is congruent with the speed within a bifilar electrodynamic network without considering and by removing magnetic-electric fields! The actual-**real** mechanical kinetic energy content magnitude +magnetic-field energy +electric-field **energy-tabulation** contained within the HADRON particle beam is **not** posted-analyzed-**hidden**, not in any relation of the huge forces of the kygronic magnets and huge energy flow at work acting on the particle beam within the HADRON, wherein the **emancipation** of **mass** is a **virtual**-theoretic glass-ceiling emancipation simply in our mind to make things agree quickly; this glass ceiling **escape** becomes apparent because there **is NO mass-emancipation** causing **any velocity variation** of the HDRON-beam going-flying **with** the additional **direction** of the **Earth** planetary **orbital** motion around the sun of **c+30000m/s** plus the Earth angular rotational motion! Judging by the size of the end Dump slow down cylinder, the energy returned is **not** congruent with an **endless SRT** mass emancipation! Is the HDRON experiment without posted energy tabulation related to the free energy generators exhibited in town fares? This selective class ceiling appears related the electro dynamic blind-resistance of capacitors, coils-magnetic fields; "**blind mass**" is **perhaps** the **better** description within SRT then the terrible-mind-experiment of mass emancipation, because, in the immensely **successful** electro dynamics **energy** is invariable-always **conserved, it is returned** to us in violent discharges during electrical storms and we don't need Einstein's terrible emancipation Idea there! We need a detailed analysis-tabulation of the HADRON beam kinetic / magnetic-electric energy flow

**with** both side by side: the mass emancipation and **without** mass emancipation to show us the actual real energy received-back-conserved during the beam **end-dump, but we have not received it and apparently we are not entitled to receive it, even thou we are paying for the HADRON experiment with our taxes;** is the energy-tabulation relation congruent in SRT with mechanical-electro-magneto-dynamics? Is the SRT a destroyer-absorber, in disregard of energy? or is it congruent with electrodynamics because of energy conservations and with the speed of the electron within a bifilar wire-pair **limiting** the energy supply to the electric photon-source and its light speed to **C**. Einstein perhaps was purposely unclear where he was coming from or where he was going with his paper "The electrodynamics of inertial mass motion" in 1905 avoiding the immense prior scientific groundwork by legions of scientists; while he only included the H. Lorentz transform as a build in glass ceiling and the assignment of  $E=mc^2$  as congruent to Galileo's invention?; this SRT glass ceiling is, however, **broken through** with the HADRON beam **C+30000m/sec.** tangential orbital speed of the Earth **without any beam speed variation** and without any difficulty steering the beam collisions with accuracy within sub-microscopic **atomic** dimensions; this is **not** in congruence to endless mass emancipation, it translates itself today within highly successful electro dynamics going from 1905 sized coils and capacitors to todays solid state diode junction oscillator, the laser diode creating oscillation at the speed of **C** and the efficient electrical energy generating photo-cell still having overall congruence to **a=Force/mass**, wherein the electrical energy force is large in comparison to the very tiny-miniscule-fluid sub atomic **junction-mass** dimension of the diode crystal having both, atoms and **lack** of atoms meaning: **+ = almost no mass** in relation to: **a<sub>acceleration</sub> = F/m** ; wherein the ratio F/m acts like an analog computer having infinitesimal smoothness without numeric steps! The associated speed of light in unrepeatable- reference to the emitted speed of light from a fast moving **energy / light** source; what is the speed limit-addition-principle here? Is the light speed of the leading-trailing edge of the originating photons from a fast moving platform in algebraic **addition** of the **emitted** light speed? We only know, for **certain**, that a landing search light and RADAR antenna mounted onto a fast moving airplane appears by the pilot-



observer, having read the airplane cockpit **speed gage**, the searchlight voltage +-amp-gage and the RADAR image, the direction and magnitude of the search light energy-flow watt meter is clearly recognized as in an **algebraic addition** of the airplane Eigen-velocity when comparing the search light reflection spot against a stationary cloud surface and the RADAR reflecting the energy back into the airplane cockpit; this is a repeat of Fiseau's light speed measurement on top of the platform Earth! This proves that the mass of the electron is carrying the light-energy according to the energy addition:  $E=mc^2 +mdVV_{\text{average-airplane}}$ ! Why should there be a difference in treatment of inertial reference frames between the airplane and the Earth? We can say that the maximum **glass ceiling** light velocity possible emitted from an aerospace-rocket inertial frame-platform going at the speed of light **C** in reference to the earth is decidedly-**proven a sum of velocities also previous presented by many other authors:  $V_{\text{max}}=C_{\text{airplane-max}}+C_{\text{search-light-speed}}$ !**

This **fundamental** light-RADAR-beam emission-reflection emitted from a moving platform principle applies also to the fundamental safety of today's airplanes; can we assign-obtain paying-humanities safety without including the photon reflections-images in frontal-passage of the airplane or the ocean liner? The answer is: Of course not, the frontal light-RADAR image must be urgently included in any automata-decisions steering a vessel! Accordingly, Einstein's pronouncement that **nothing** can exceed the speed of light in all inertial reference frame views is **unreasonable**-self-limiting for the searchlight-RADAR photon-source mounted onto a fast aerospace-rocket having an Eigen-kinetic-energy and Eigen-velocity of **C**, also for the HDRON accelerator-particle beam when considering the simultaneous earth orbital motion, Fiseau's speed of light measurement-machine on top of the platform earth will-**must** work within any and all other inertial reference frame-platforms, the Hertz RADAR experiment works in all and every inertial reference frames independent of platform speed and so will the Authors "light interior mirror box clock" **will** deliver a steady stream of identical timed electrical-solar cell pulses; the speed of light is always in congruence-association-reference with the energy flow starting from an Eigen-power supply flows into the **light energy source-emitter and produces and emits a light-photon energy stream having a photon leading edge and a photon trailing edge with the speed of light; this light energy stream principle is our**

**life-source**, if the energy source is cut then the photon energy stream is cut at the photon edges! The physics within a moving isolated inertial mass system is **always** continuous, invariable and congruent within any other separated moving inertial platform! So, why keep pronouncements which **don't work and are violating our energy conservation base fundamental principles**? The total light energy of the airplane landing search-beam photon impressed onto a stationary solar-cell is: Twice the energy send from a stationary airplane; this is based on Einstein's **own** postulate on the energy content difference of red to blue or violet light and the Doppler compression principle! It is congruent with the microwave cooking principle giving the photon a similar ability with electron induction, an important theory combining electrodynamics with photon radiation and gravitation by T. De Mees. However, purists will have a problem with such a simple algebraic addition of velocities-energies pointing to the complex vectors involved, but we do not need to go into that by viewing that every thing is happening in quanta delta time, the quantum principle! The addition-continuity-sanctity of physics within a moving inertial platform frame was already guaranteed since Galileo, it is always repeatable within the Fizeou speed of light setup displacement-distance dimensions **independent** of each inertial-frame-platform Eigen-velocity and motion-direction! While science, at the same time, can **not** deny that Impulse-momentum and SRT speed of light **can not** be created-produced **all-alone without** the original **first** root cause of energy flow in all science disciplines; without energy flow we simply **pull** the **plug** out of **all-science-itself**! That **time** can exist only by **itself-all-alone**, is simply, the same as **believing** in the almighty creator, it lacks a **logical proof-definition** and must be avoided as an actual **science-metaphysics political** discussion-argument **topic-claim, because it never has, nor never will lead to any real experimental proof construct**! Our **inability** to obtain an **actual proof** of divine creation-intervention should be our first fundamental guidance and set a great admiration of creation and a dead-stop-caution not to step into **altering** the **infinite equilibrium-balance-magnitude** of creation! In the **end** we have **nothing else important** left, but our need of the end effect to obtain Real and save **ENERGY**, wherein, "save" means that humanity and foremost the firstly the

involved science community **obtain-invent-urgently** a workable **dead-stop** to remediate-**prevent** blowing **each-other** up reciprocally with nuclear energy obtained while using unreasonable-unproven self-compelled self-enriching self-serving assumptions! But, then again, it is also nice to know that the science well **loved-clever purely**-theoretic change in momentum without directly considering energy, has **no** direct speed or glass-ceiling-form recognizable: “**F=d(mV)/dt**” assigned by the originating **inventor** neither, but a glass ceiling is actually present when we consider the shortest possible **impulse duration** exerted from a **fixed** point and in relation to the speed of light **C**; In the end, we **all** should agree that momentum, is in **reality**, only the **dissection** of energy in the first place:

$$1/2m_1V_f^2 = 1/2m_1(V_{1i}-V_{1f})(V_{1i}+V_{1f}) \quad !$$

This dissection has, however, **no limit of number** of dissections when considering a computer program and there is no limit of number of dissection when attempting the squaring of the circle, but it is unreasonable to continue this dissection forever because even our mass substance has a Glass ceiling limit in form of MUONS and GLUONS..etc...etc particles: accordingly, momentum is therefore a **slice** of the first original **energy block** because:  $E_{\text{energy}}=mdV_{\text{average}}$  , wherein

$$V_{\text{average}} = \text{distance} / \text{time}_{\text{duration of the motion}}$$

then  $E_{\text{energy}} / \text{distance}_{\text{displacement}} = mdV / \text{time}_{\text{duration}} !$