

ROTATIONAL MAGNETIC FORCE

By: Leonard Van Zanten
Riverside Ca.
lenvanzanten@msn.com

ABSTRACT

Throughout the years and in all textbooks electricity is claimed to be a flow of electrons. The experimental evidence presented here shows this to be unfounded, along with a description of what electricity factually is, and how the facts of nature confirm these findings.

Key words

Electricity Magnetic Electrons

INTRODUCTION

Rotational magnetic force is the proper term for what is otherwise known as electricity. This fact of nature however was not discovered, but in my young age was revealed unto me as if I had always known it. Nor can I recollect at any time not to have known it, but it was not until more than fifty years later (just recently) that I thought of a way to prove that which I knew so well, how magnetic force is one and the same in all that is found to display its **directionally conductive nature**. Along with it however I was forced to make some additional revelations in order to present the evidence to my theme.

ESSAY

To be '**Directionally Conductive**,' is the proper terminology for what is otherwise known as - to push and to pull, or to attract and repel, a north and a south in magnetic **relevant to movement**, that is to say; to the '**Motion**' in movement. For that which we call

magnetism in all respects is motion, a movement passing by a circle in the format of what is known as the *"Figure of Eight."*

This movement that I usually designate by calling it the "3M," is a conductive movement. Conductive in this that when two magnets are facing one another they will unite to one another, or in the opposite direction of movement to draw away from one another. Therefore did I term it; *"Directionally Conductive*. For it is not in the substance of these magnets that they may be moved to and fro, as it is **by and in the movement** of the parts by which any magnet is magnetic.

We are to differentiate between what is material, and what is immaterial. The substance of the magnet is material while **its magnetic motion is immaterial**, it being the sum of the movements conducted from one minute part to the other linking together **conductively**. Even though I held off for a long while the time has come to make this revelation - that movement is as real as any material part may be real, that **movement is an entity all in itself**. And yes this is a revelation to which there is ample evidence. But us being human bear with me to take this one step at the time.

You yourself - the spirit that you are - is immaterial, only your body in which you dwell is material. And so it is with all substance, nor am I able to define what precisely a spirit consist of.

THE FIGURE EIGHT OF FORCE

First let us consider a magnetic field and what the pattern thereof is, be it in lines of movement, or in direction of movement. Our textbooks, as well as man's understanding of it show it to be two circles joined at a center, with the outgoing flow as North, and the ingoing flow as South. The first part of this however is a sight deception, **it are not two circles**, but a single circle that is twisted over by a half turn by which it comes to resemble the figure of eight.

And it in all respects is a figure eight **of force and/or motion**. Its movement in the flow thereof completes each single circle by passing in the design of an eight. In other words; a circle of movement with a point of centering in and upon its own line of movement. If then one is wondering what difference it will make to be two separate circles, or an eight that also displays two circles, there is not a world of

difference but a whole universe of difference, which could not exist if it were not in an eight.

Nor would we have our tides upon both sides of the earth, or even any tide at all. Gravity with its limited distance out into space (*by the data of Hubble's space telescope some 3232 miles*) (Ref 1 and 4) has this curious phenomena, that it pulls in a **^downward^** motion, while the rising waters are an **^upwards^** motion. Gravity therefore - if anything - *restrains the waters rise*, and never at all a cause to it.

TIDES

But our 3M, the magnetic potential of the earth in its countless many figure eight's of movement **is the perfect cause**. The moon at 72 times as distant as that earth's gravity will extend outwards - is a magnetic entity just as our earth is, wherefore it also, as all stars and planets have their figure eight of force. And like any two magnets join and disjoin, their movement being '*Directionally Conductive*', to join with one another.

As therefore the moon for its weight and velocity attempts to steer a straight course away from us, these figure eight's of force hold it in orbit. But with a strain upon these somewhat flexible figure eight's of force - in a measure equal to the moon's mass and velocity. This strain is of course found directly between the earth and the moon - that then elongates that half of those figures of eight of force between them - **that in turn causes the waters to rise** to what is known as **the tides**. For just as a sheet of plastic with water is pulled upwards, the area where the water resides becoming smaller - so the waters are raised to that extend.

DUAL TIDES

And what is so unique about a figure eight of force is that when the handles of a pair of scissors is closed in so the cutting edges are closed in. Accordingly, with the moon pulling on one side of the eight causing a tide under the moon, an equal tide on the opposite side of the earth also takes place. **All because magnetism is not by two circles, but by an eight** - that as such comprises to a single circle.

And why now did I have to explain the tides when our subject is electricity? It is because electricity is as much a magnetic force as the

earth and stars are magnets. As then our earth and the stars may be rated stationary fields, or linear fields, **electricity comes as a rotational magnetic field of force**, or *angular magnetic* field of force. Wherefore we are back to our rotational magnetic force, but in order to explain it I had to provide *evidence to its design* as a figure of eight to which the tides - as one factor - **serve me for evidence.** (Ref 2)

MOTION AS AN ENTITY

How thus shall we proceed from here? Either to accurately define our rotational magnetic entity, or to show what it is not? For we do have an explanation to the nature of electricity, and that for quite some time already without any improvement, something that I in my younger days came to call - an outright lie. Nor have I changed since because in my book, as in anyone's book - a single sided coin does not exist, nor can it exist. And yes I am talking about man's electrons and protons, how these cannot possibly exist.

And here is why.

All of nature, in anything and everything shows all phenomena in their dual nature. It is so with man and beast, with light and magnetism, with atoms and molecules, and even with the air we breathe. Always a positive and a negative as no more than a point of view **upon a single entity**. Our earth as a single entity has north and south, an electrical current has a positive and negative side. But it is not that either end is as such positive nor negative, since the whole of the circuit **is a single movement with a single direction of rotation**. As thus both ends are identical the terms applied unto them are in all essence **a point of view**.

By our illustration Figure 1, at 'A', if movement is only outgoing from where does it come? Or at 'B', with an only incoming movement, from where may it be forthcoming? For this is an absolute fact that cannot possible denied nor deliberated, that wherever an arrow is going to - it has a coming from. At 'D', in the illustration that line as an arrow is more real than even the earth or the whole of the universe, for without it, nothing would exist.

And how is that so?

That line represents movement, it represents motion, the very first and most important ingredient whereby all things exist and are

constructed. And why does any man even doubt my word when it is not possible for me to lie, and it is utterly against my nature to deceive any man? Nor am I pronouncing these words in vain, for consider this: How is it that you are able to read my words? There is a space between your eyes and my words upon the screen, how thus do these come to you?

Unless there was movement from every fraction of these letters they would not be able to refract the specific wavelength of these atomic parts, be it black or any color. And unless motion in itself were an entity to always travel at one fixed velocity (300K/km/sec) by which these wavelengths may be transmitted to you from and to your eyes to the screen, nothing at all would be visible.

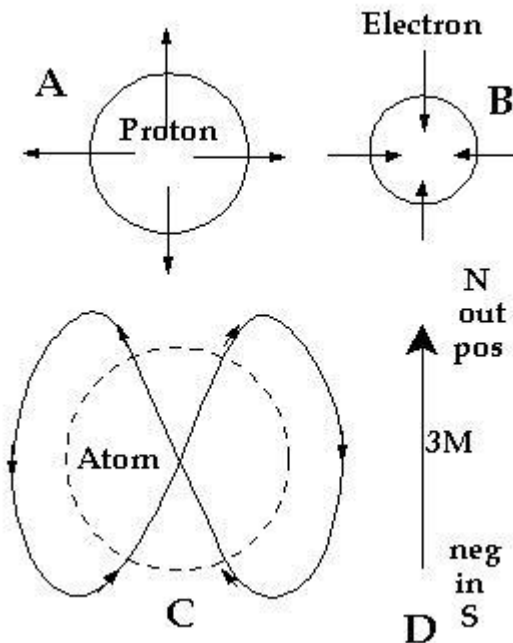


Figure 1. Is to convey how movement in its fundamental scope is an entity all in itself, and that by natural law it has a simultaneous coming and going - always two sides to any coin. By law therefore neither protons nor electrons can exist.

Thus there is movement, an always-existing movement that passes upon and by every part in nature, a million or so at every millimeter, and also from the parts to make for the long lines of movement. All because I said that movement is conductive, and not just conductive,

but directionally conductive. It is the head of that arrow upon that line in figure 1 'D', that represents movement directionally, as in movement cannot ever be movement unless it is going somewhere. **Nor therefore can it go somewhere unless is coming from elsewhere, that then by natural law comes to N+S, or P+N, or two sides of the coin.**

How thus can a proton be positive, having a going to motion with no coming from? Or an electron with a coming to, but no coming from? You cannot break an arrow in half to say that its front is positive with its tail-end negative, for in that condition it is no longer an arrow for any use, but to be cast away, **as all protons and electrons in due time will be discarded.** The line with the arrow at 'D' may be said to have a north and a south, or a positive and a negative end. But who is to separate them? Broken in two each end with have its N, and S, or P and N, just as any magnet when broken in halves teaches us this simple fact and law in nature.

There is thus but one fundamental force in nature, the movement in and upon all things. And since that movement shows itself to be magnetic - and fundamental in this that it is directionally conductive, it moves all things, and is in and upon all things. Nor should this come to us as something new since the spectrum, known as the E M spectrum, lists all that moves within it, be it light, radar, electricity, and magnetic itself as the very foundation thereof.

THE ATOM

What therefore may the atom be when there are no such things as single sided coins (electrons protons)? Figure 1 section 'C' shows it clearly, the figure eight of force in the smallest of all scales. And these as such are most perfectly enabled to join and disjoin with one another. Or when looking at the atomic grid of ice for example - how do you think these parts make for such grids with those spacing's in between them? If it were not for the ability to push as well as to push these would not exist. Or what of the power in steam, or in gasoline? It are not Martians nor ghosts to push these parts into a distance from one another. But just as magnets are driven from one another so the power in the cylinders of our four wheeled toys is from and by magnetic.

How for example is steel so strong if not for the multiple magnetic coordinates upon these atoms? Or our air how is it that we can move through it, and even breathe it? If these atoms of Nitrogen and Oxygen were single they would make for a semi solid, like unto mud, and how then are we to move through it so freely? It is enough for them to be joined with a few atoms of Hydrogen that then turns it into a liquid with far less spacing between them.

ELECTRICITY -- (WHAT IT IS NOT)

But we are drifting away from our prime subject, namely how and why electricity cannot possibly be any flow of parts that in the first place do not exist. And to prove the same our reference will be to figure 2. If we take a battery or any electrical source upon which to connect some leads, and we hold a regular magnet with any one of its two poles near the wire, the wire will come to vibrate back and forth to that magnet.

But how is that possible when that electricity is supposedly nothing more than electrons on the move? For while these are claimed to be single sided coins, to be negative only -these by all means and by natural law should cling to that north end of the magnet. **But no, that magnet will both push and pull on that wire once for each turn of its voltage.**

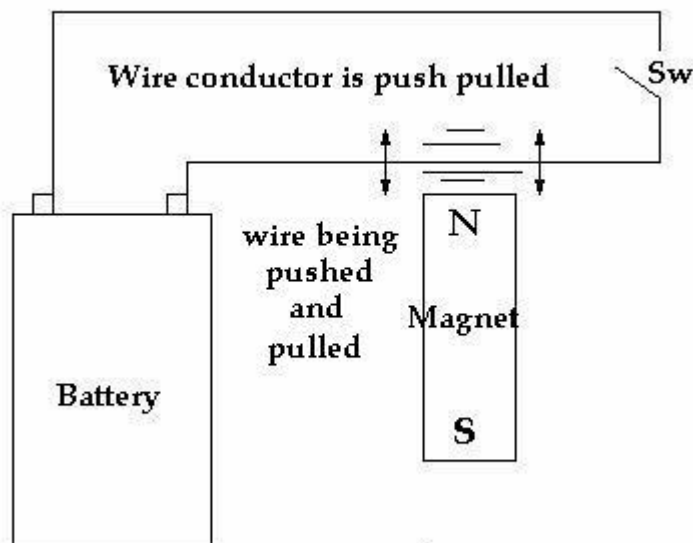


Figure 2. Illustrates the evidence to the fact that electricity is not any flow of negative only parts. It as such without doubt defeats man's theory about electricity.

Voltage then means the rate of revolutions; at how fast that electric wave formation is turning. Shall then these electrons be positive as well as negative? And how do these electrons come to alternate their so-called polarity at every single turn equal to the voltage of it? If two plus two does in fact equal to four, that flow of negative only parts is but a myth. And just as an ambulance cannot pass the vehicles upon a jam-packed freeway with cars parked from border to border or wall-to-wall, so *no material part can ever pass through any metal conductor*. These ideals are mere fantasies concocted by the ignorance of man, the proof of which is right before our eyes with anyone able to certify that evidence to himself.

ELECTRICITY -- (WHAT IT IS)

Perhaps I revealed more than what I should have, if so let us take it in stride, for I too am in this body as a man. But as to the nature of electricity, and the format of its wave I spoke of it many years ago, and came to enhance upon it. (Ref 3)

Ask yourself this question; - what in fact are we doing by turning an armature within a magnetic field? We first of all establish a strong magnetic field, a stationary field, as also a linear field, a flow of magnetic passing in straight lines through that armature. That conductor then in its multiple turns serves as a guide upon which we - by our rotation - are twisting these normally straight lines of magnetic into a circular format that in all essence results into a number of twisted magnetic lines of movement.

This may be envisioned as when a rubber band is twisted - the format of which becomes like figures of eight end on end. For when any two or more straight lines of magnetic are twisted around one another - that twist came about by the rotational movement within which a suitable guide was placed to contain these ever moving twists. Our copper, or like metals, are suitable to conduct a magnetic field, but not retain it as the metals of magnets do, for which cause

these act like a guide only for the twisted rotating lines of magnetic force.

Electricity as such is nothing more, nor anything less than a **magnetic field, a rotating magnetic field**, in a format that is akin to its stationary cousin, namely; the normal linear magnetic field as observed in magnets. Regular magnets display a stationary field, the format of which is a single circle twisted over by a half wave formation that not only appears – but is a figure eight of force.

And so why is there a magnetic field around a conductor if not because the current itself is magnetic? And why does that flow of magnetic move in a circle – if not because that force of magnetic is rotating, being a rotational magnetic force?

Then to the illustration figure 3, the pattern of the electric wave, is the magnetic pattern, simply because it are magnetic lines of movement that by our rotation have become twisted in a continual series of crossing-over, the familiar figures of eight. At every other loop therefore where the movement is in like direction - the areas where the arrows point upwards, is the center of any one figure of eight with a north and a south. (North to the arrow head, south at its bottom end)

While at the points noted 'Y', there is an equal crossing with the movement in just the opposite direction that are not designated as having the power in eight since these are the east and west areas where the direction of movement returns as it is found with any singular magnet, or figure of eight. Yet these areas join with one another since there is a like direction of the one from the top to the bottom of its adjacent one, remembering how **movement is directionally conductive.**

The movement of this string is thus always in two directions, the twisted line of one in one direction, with the twisted line of the other in the opposite direction. This of course is absolutely logical since within our generator located at point 'X', our guide (the wire) is laid forth in a circle wherefore at any moment when the direction of movement on the one side of the armature points to the right, the direction of movement on the other side of that armature is to the left, making for a single direction of movement.

Any straight line of movement – when it is turned into a loop will of course by its view-point seem to move in two directions. We however having knowledge should know the difference, how these two directions are in effect but a single direction, and as such in twisting them over come to this familiar pattern, the pattern of magnetic.

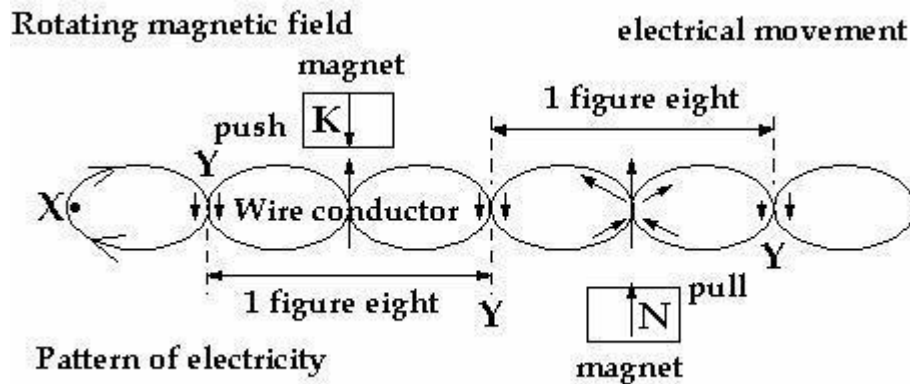


Figure 3. Illustrates the wave-like formation, or coordinate as it is better called of electricity, nature's rotational magnetic force.

When therefore we place a magnet at K, the wire conductor in that position of its rotation will push itself away from that magnet, while at N it will be pulled towards it. That is how and why any electrical conductor will come to move to and fro before any stationary linear magnet. And it should come for some good knowledge unto us how and why when we feed an electrical current through a tungsten wire in a light-bulb that by it the atoms of that tungsten atom come to be so excited whereby to produce the wavelengths of light. For the atoms of the tungsten are magnets all the same, just as any atom is essentially a magnet.

When we attempt to electrify a plastic bar, the atoms of that plastic look at that electricity and conclude that we do not have any kind of pattern by which you may be conducted. If instead we apply the electrical coordinate to a copper bar, it readily passes since the coordinates of that copper are well suited to conduct that electrical pattern. When however we apply it to tungsten or to Nicromium the coordinates of these metals are somewhere in between, for yes - they

will conduct the electric wave, but with some difficulty. That is how we toast our bread, and light our homes.

PUNCH LINE

And now for the punch line in how that is so, the answer for which **is in direction and positioning, along with the nature of magnetic being directionally conductive.** When and if the polarities - in their coordinates - of the atoms of any one element are directly like illustrated by figure 3, the electricity is going to push pull on these atoms whereby they are moved (excited), resonating and speeding up their internal movement, that for nichromium in our toasters comes to be red hot, producing no more than a low variation of the longer wavelengths. (The red) Upon the tungsten however neatly guarded by an inert gas, their magnetic play of push and pull can come much higher to produce all wavelengths from red to blue, and even longer than the red to warm the areas around them.

And so you see **it is all in conductivity, and that by direction of powered by but a single entity known as 3M, *the motion of motion*** with a single constant rate of velocity into any and all directions by which anything may come upon it. This is the flow of movement and power known as magnetic, the reality of magnetism by and in which the whole of the universe is held in check.

I now in the course my teaching may on occasion use a figure of speech, such as where I may have said; **"The flow of electricity."** Since in fact electricity never flows, it never moves down the line upon the conductor, the only real linear movement upon the wire is the format itself, extending itself at the speed like unto light, the velocity of which is a constant 300.000 km/sec. Then from this constant we are to compensate for the angular moments in the line that now has become a wavy line that for distance in time comes to be proportionally less.

The voltage of a current is its moment of rotation, while ampere translates into 'quell'. Our notion is that when in use the electricity moves down the conductor. This however is not so, the only thing that moves along the conductor is its format, and that of course only at the instant when the circuit is completed, after which nothing at all moves down the line. That so-called flow of current thus remains at

all times in place rotating according to the rpm at which it is produced.

To therefore explain ampere, at a light load it is like a light vehicle moving upon a blacktop road, leaving no tracks nor heating up the road. But with a heavy load it is like a pressing down upon the road with a heavy vehicle heating up the pavement. This is what I mean by - to quell, for the electricity is both in and around the conductor utilizing the very coordinates of that metal upon which it extends its own coordinate, the typical twist or series of eight end on end, that as such is properly called 'a coordinate' in preference to calling it a wave.

The power of electricity thus is - its magnetic potential in eight remaining in place, with the flow of electricity long gone since in the first second already it can extend itself seven times around the whole earth. The movement down the line of electricity is thus by the same 3M movement whereby light travels, and whereby the earth, the stars, and any standard magnet completes their figures of eight.

Why thus does electricity travel at the speed of light? Because it is no more than a coordinate of magnetic movement that must at all times travel at the speed of light while its power remains in place. Motion as that motion which is fundamental in nature (3M) - and classified as an entity in itself - is in and by and through all things empowering light as well as all waves inclusive the linear and angular magnetic waves, linear in magnets, rotational in electricity.

CONCLUSION.

Since this simple experimental evidence conclusively ranks man's theories regarding electricity as well as his electrons unfounded and void with the truth clearly shown, all of his sciences will have to be rewritten. And in due time they will be rewritten, the fundamentals in the sciences founded by man will and must perish for the truth at hand. The question however remains if this generation will consent to acknowledge their errors, or continue to live by their false conceptions. It indeed stands to be seen if this generation with its scientists and physicists will see this article as one of the greatest strides forward in the fundamentals of the sciences. If not so it will be in future generations, with no credit to this generation of man.

MYSELF.

I now did not explain the above as if I just discovered it by some experiment, since I have known what electricity really is for more than half a century as a young man because the Almighty Creator of that electricity revealed it to me, along with many other secrets in the fundamentals of nature, inclusive the foundations of the earth upon which it rests, and many such things. Nor is it any kind of theory, which I have written down but simple scientific fact as they were taught unto me.

I remain.

Leonard Van Zanten

References

Ref 1: <http://www.gsjournal.net/Science-Journals/Essays-Gravity/Download/5863>

Ref 2: <http://www.leonardswebpage.info/Leonards/fw16.htm>

Ref 3: <http://www.leonardswebpage.info/Leonards/fw46.htm>

Ref 4: <http://www.leonardswebpage.info/Leonards/fw58.htm>

Additional references

Red shift into radial velocity, at: <http://www.gsjournal.net/Science-Journals/Essays-Mechanics%20/%20Electrodynamics/Download/5847>

Light's velocity, at: <http://www.gsjournal.net/Science-Journals/Essays-Mechanics%20/%20Electrodynamics/Download/5848>

Light's fundamentals, at:

http://fundamentaljournals.org/ijfps/downloads/79_IJFPS_Dec_2014_141_143.pdf